

VarroaController order form

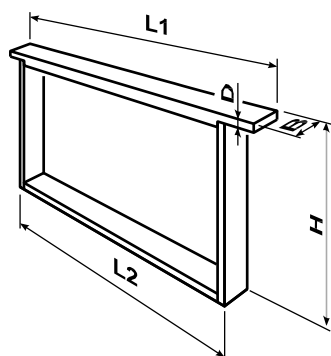
For ordering a Varroa Controller, please provide us the following information:

Name:	<input type="text"/>
Address:	<input type="text"/>
Mobile phone:	<input type="text"/>
Email:	<input type="text"/>

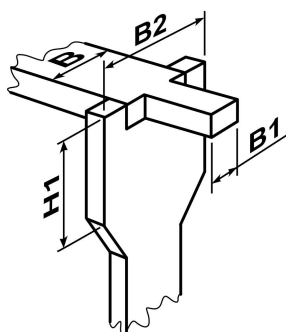
If you want that we ship the Varroa Controller to a different address, please provide us the shipping address here:

If you are ordering within the EU and have a valid VAT-number, please provide us the VAT number:

We also need measures from your own **frame size**, since we adapt the Varroa Controller to the following frame dimensions. You can name several frame sizes.



frame size:	<input type="text"/>	<input type="text"/>	<input type="text"/>
H:	<input type="text"/> cm	<input type="text"/> cm	<input type="text"/> cm
L1:	<input type="text"/> cm	<input type="text"/> cm	<input type="text"/> cm
L2:	<input type="text"/> cm	<input type="text"/> cm	<input type="text"/> cm
B:	<input type="text"/> cm	<input type="text"/> cm	<input type="text"/> cm
D:	<input type="text"/> cm	<input type="text"/> cm	<input type="text"/> cm



If your frame size looks like that please provide us in addition the following measures:

B1 = cm **B2** = cm **H1** = cm

After sending us the completely filled out order form we send you an offer including the price for the Varroa Controller fitting your frame size and the shipping costs to your address.

Many thanks for your interest in the Varroa Controller.